

1742nm DM LASER

EP1742-DM-B

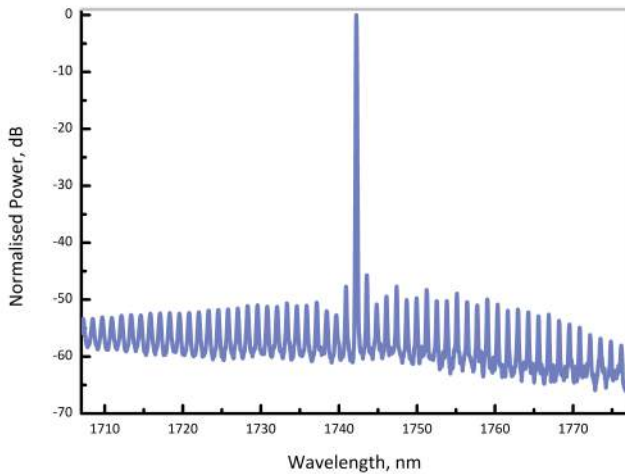


eblanaphotonics

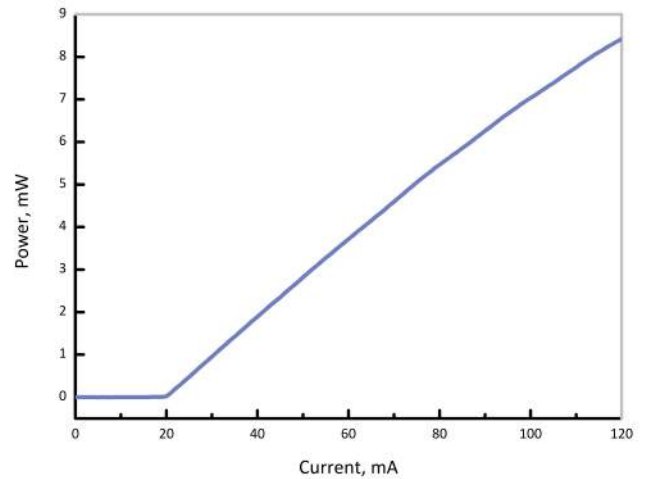


ACCURATE HCI MONITORING

Eblana Photonics EP1742-DM-B laser is a new product addition, in the range from 1735-1770nm, enabling sensitive detection of Hydrogen Chloride (HCl). Eblana's Discrete-Mode (DM) technology enables mode-hop free tunability and excellent SMSR, while ensuring cost effectiveness.



Typical optical spectrum of 1742DM laser



Output power as a function of bias current

ELECTRO-OPTICAL CHARACTERISTICS* ($T_{SUB} = 25^{\circ}C$)

PARAMETER	SYMBOL	MIN	TYP	MAX	UNIT
Available Wavelength Range	λ	1735	1742.2	1770	nm
Wavelength Tolerance	λ_{spec}	$\lambda - 1$	λ	$\lambda + 1$	nm
Side Mode Supression Ratio	SMSR	30	40	-	dB
Threshold Current	I_{th}	-	21	25	mA
Output Power in fiber	P_f	4	6	-	mW
Optical linewidth	Δf	-	-	2	MHz
Temperature Tuning Coefficient	T_{λ}	0.07	0.1	-	nm/ $^{\circ}C$
Current Tuning Coefficient	I_{λ}	10	15	-	pm/mA
Slope Efficiency	SE	0.07	0.1	-	mW/mA
Thermistor Resistance	R_T	9.5	10	10.5	k Ω
Thermistor Temp. Coefficient	C	-	-4.4	-	%/ $^{\circ}C$

*CW bias unless otherwise stated

©Eblana Photonics Series 1742-DM-B Rev 2.02

Cybel

1195 Pennsylvania Ave. Bethlehem, PA 18018 USA
Sales: contact@cybel-llc.com

Phone: (610) 691 7012
Website: www.cybel-llc.com

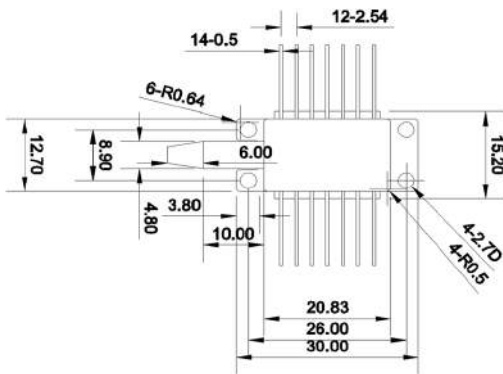
ABSOLUTE MAXIMUM RATINGS

PARAMETER	SYMBOL	MIN	MAX	UNIT
Forward Current	I_f	-	140	mA
Forward Voltage	V_f	-	2	V
TEC Current	I_{TEC}	-	1.2	A
Reverse Voltage LD	V_{rev}	-	2	V
Case Temperature*	T_{Case}	-20	65	°C
Chip Submount Temperature	T_{Sub}	0	50	°C
Storage Temperature	$T_{storage}$	-40	85	°C

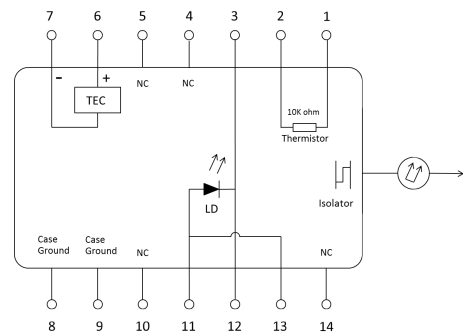
*For $T_{sub} < 25^{\circ}C$, Max Case Temperature should be derated to $T_{Case,Max} = T_{sub} + 40^{\circ}C$

PACKAGING

The EP1742-DM-B product series is offered in a 14-pin Butterfly package - Inquire for other packaging options. The standard package pinout is shown below, variations may be requested. mPD not included as standard.



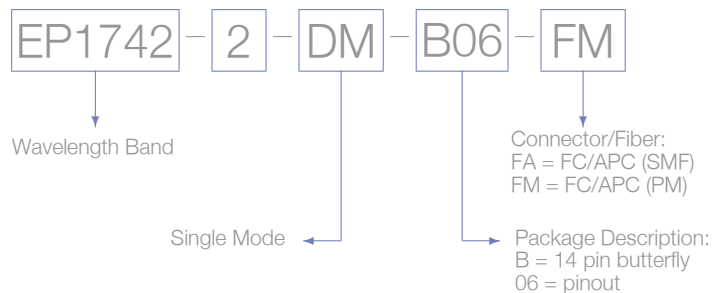
14-pin butterfly schematic



Standard "Pinout 06" option

HOW TO ORDER:

Construct your part number using the following example and email your order to contact@cybel-llc.com.



Laser Safety

This is a Class 3R Laser Product as defined by International Standard IEC 60825-1, Edition 2. Invisible Laser radiation is emitted from the end of the fiber or connector. Avoid direct eye exposure to the beam. Laser safety labels are not attached to the module due to space limitations but instead are affixed to the outside of the shipping carton.

©Eblana Photonics 2015. Eblana Photonics Reserves the right to amend this document at any time, without prior warning. ©Eblana Photonics Series 1742-DM-B Rev 2.02