

### FEATURES

- High optical power handling
- High Bandwidth (> 18 GHz)
- High stability
- Low  $V_{\pi}$
- Low insertion loss

### APPLICATIONS

- Interferometric based sensors
- Quantum optics
- Frequency shifting
- Pound-Drever-Hall locking (PDH)

### OPTIONS

- Hermetic sealing
- 20 GHz version
- 895 nm, 915 nm and 935 nm versions

### RELATED EQUIPMENTS

- RF amplifiers
- NIR-MX800 amplitude modulators
- 30 ps optical pulsed ModBox

The NIR-MPX800 series are phase modulators especially designed to operate in the 800 nm wavelength band. They are available with various modulation bandwidth, from low frequency to 20 GHz and beyond.

Like all ixblue Near InfraRed (NIR) modulators, the NIR-MPX800 series use a proton exchanged based waveguide process that confers them an unparalleled stability and a high photo-refractive threshold.

### NIR-MPX800-LN-0.1 series Performance Highlights

Parameter	Min	Typ	Max	Unit
Operating wavelength	780	850	890	nm
Electro-optical bandwidth	-	150	-	MHz
$V_{\pi}$ RF @50 kHz	-	2	3	V
Insertion loss	-	3.5	4.5	dB

Specifications given at 25 °C, 850 nm.

### NIR-MPX800-LN-05 series Performance Highlights

Parameter	Min	Typ	Max	Unit
Operating wavelength	780	850	890	nm
Electro-optical bandwidth	5	-	-	GHz
$V_{\pi}$ RF @50 kHz	-	3	4	V
Insertion loss	-	3.5	4.5	dB

Specifications given at 25 °C, 850 nm.

### NIR-MPX800-LN-10 series Performance Highlights

Parameter	Min	Typ	Max	Unit
Operating wavelength	780	850	890	nm
Electro-optical bandwidth	10	12	-	GHz
$V_{\pi}$ RF @50 kHz	-	4	5	V
Insertion loss	-	3.5	4.5	dB

Specifications given at 25 °C, 850 nm.

### NIR-MPX800-LN-20 series Performance Highlights

Parameter	Min	Typ	Max	Unit
Operating wavelength	780	850	890	nm
Electro-optical bandwidth	16	20	-	GHz
$V_{\pi}$ RF @50 kHz	-	4	5	V
Insertion loss	-	3.5	4.5	dB

Specifications given at 25 °C, 850 nm.

## NIR-MPX800-LN-0.1 150 MHz Phase Modulator

### Electrical Characteristics

Parameter	Symbol	Condition	Min	Typ	Max	Unit
Electro-optic bandwidth	$S_{21}$	-	100	150	-	MHz
$V_{\pi}$ RF @50 kHz	$V_{\pi}$ RF <sub>50 kHz</sub>	-	-	2	4	V
RF input impedance	$Z_{in-RF}$	-	-	10 000	-	$\Omega$

### Optical Characteristics

Parameter	Symbol	Condition	Min	Typ	Max	Unit
Crystal	-	-	Lithium Niobate X-Cut Y-Prop, MgO doped			
Waveguide process	-	-	Proton exchange			
Operating wavelength	$\lambda$	-	780	850	890	nm
Insertion loss	IL	Without optical connectors	-	3.5	4.5	dB
Optical return loss	ORL	-	-40	-45	-	dB

All specifications given at 25 °C, 850 nm, unless differently specified.

### Absolute Maximum Ratings

Stresses in excess of the absolute maximum ratings can cause permanent damage to the device. These are absolute stress ratings only. Functional operation of the device is not implied at these or any other conditions in excess of those given in the operational sections of the data sheet. Exposure to absolute maximum ratings for extended periods can adversely affect device reliability.

Parameter	Symbol	Min	Max	Unit
Modulation voltage range	$EV_{in}$	-20	20	V
Optical input power	$OP_{in}$	-	14	dBm
Operating temperature	OT	0	+70	°C
Storage temperature	ST	-40	+85	°C

## NIR-MPX800-LN-05

5 GHz Phase modulator

### Electrical Characteristics

Parameter	Symbol	Condition	Min	Typ	Max	Unit
Electro-optic bandwidth	$S_{21}$	RF electrodes, from 2 GHz	5	-	-	GHz
Ripple $S_{21}$	$\Delta S_{21}$	-	-	0.5	1	dB
Electrical return loss	$S_{11}$	-	-	-12	-10	dB
$V_{\pi}$ RF @ 50 kHz	$V_{\pi RF 50 kHz}$	-	-	3	4	V
RF input impedance	$Z_{in-RF}$	-	-	50	-	$\Omega$

### Optical Characteristics

Parameter	Symbol	Condition	Min	Typ	Max	Unit
Crystal	-	-	Lithium Niobate X-Cut Y-Prop, MgO doped			
Waveguide process	-	-	Proton exchange			
Operating wavelength	$\lambda$	-	780	850	890	nm
Insertion loss	IL	Without optical connectors	-	3.5	4.5	dB
Optical return loss	ORL	-	-40	-45	-	dB

All specifications given at 25 °C, 850 nm, unless differently specified.

### Absolute Maximum Ratings

Stresses in excess of the absolute maximum ratings can cause permanent damage to the device. These are absolute stress ratings only. Functional operation of the device is not implied at these or any other conditions in excess of those given in the operational sections of the data sheet. Exposure to absolute maximum ratings for extended periods can adversely affect device reliability.

Parameter	Symbol	Min	Max	Unit
RF input power	$EP_{in}$	-	28	dBm
Optical input power	$OP_{in}$	-	14	dBm
Operating temperature	OT	0	+70	°C
Storage temperature	ST	-40	+85	°C

## NIR-MPX800-LN-10

10 GHz Phase modulator

### Electrical Characteristics

Parameter	Symbol	Condition	Min	Typ	Max	Unit
Electro-optic bandwidth	$S_{21}$	RF electrodes, from 2 GHz	10	12	-	GHz
Ripple $S_{21}$	$\Delta S_{21}$	-	-	0.5	1	dB
Electrical return loss	$S_{11}$	-	-	-12	-10	dB
$V_{\pi}$ RF @50 kHz	$V_{\pi \text{ RF } 50 \text{ kHz}}$	-	-	4	5	V
RF input impedance	$Z_{\text{in-RF}}$	-	-	50	-	$\Omega$

### Optical Characteristics

Parameter	Symbol	Condition	Min	Typ	Max	Unit
Crystal	-	-	Lithium Niobate X-Cut Y-Prop, , MgO doped			
Waveguide process	-	-	Proton exchange			
Operating wavelength	$\lambda$	-	780	850	890	nm
Insertion loss	IL	Without connectors	-	3.5	4.5	dB
Optical return loss	ORL	-	-40	-45	-	dB

All specifications given at 25 °C, 850 nm, unless differently specified.

### Absolute Maximum Ratings

Stresses in excess of the absolute maximum ratings can cause permanent damage to the device. These are absolute stress ratings only. Functional operation of the device is not implied at these or any other conditions in excess of those given in the operational sections of the data sheet. Exposure to absolute maximum ratings for extended periods can adversely affect device reliability.

Parameter	Symbol	Min	Max	Unit
RF input power	$EP_{\text{in}}$	-	28	dBm
Optical input power	$OP_{\text{in}}$	-	14	dBm
Operating temperature	OT	0	+70	°C
Storage temperature	ST	-40	+85	°C

## NIR-MPX800-LN-20

20 GHz Phase modulator

### Electrical Characteristics

Parameter	Symbol	Condition	Min	Typ	Max	Unit
Electro-optic bandwidth	$S_{21}$	RF electrodes, from 2 GHz	16	20	-	GHz
Ripple $S_{21}$	$\Delta S_{21}$	-	-	0.5	1	dB
Electrical return loss	$S_{11}$	-	-	-12	-9	dB
$V_{\pi}$ RF @50 kHz	$V_{\pi}$ RF <sub>50 kHz</sub>	-	-	4	5	V
RF input impedance	$Z_{in-RF}$	-	-	50	-	$\Omega$

### Optical Characteristics

Parameter	Symbol	Condition	Min	Typ	Max	Unit
Crystal	-	-	Lithium Niobate X-Cut Y-Prop, , MgO doped			
Waveguide process	-	-	Proton exchange			
Operating wavelength	$\lambda$	-	780	850	890	nm
Insertion loss	IL	Without connectors	-	3.5	4.5	dB
Optical return loss	ORL	-	-40	-45	-	dB

All specifications given at 25 °C, 850 nm, unless differently specified.

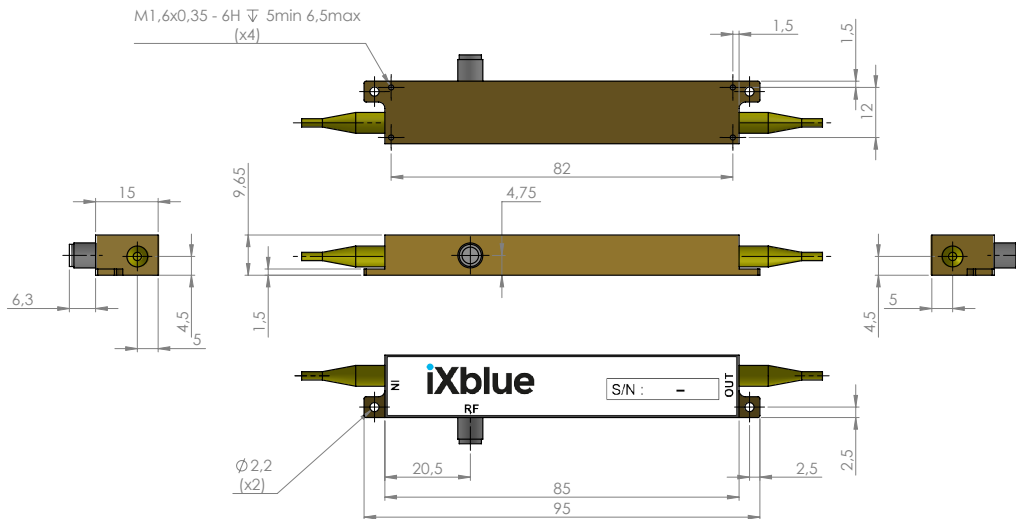
### Absolute Maximum Ratings

Stresses in excess of the absolute maximum ratings can cause permanent damage to the device. These are absolute stress ratings only. Functional operation of the device is not implied at these or any other conditions in excess of those given in the operational sections of the data sheet. Exposure to absolute maximum ratings for extended periods can adversely affect device reliability.

Parameter	Symbol	Min	Max	Unit
RF input power	$EP_{in}$	-	28	dBm
Optical input power	$OP_{in}$	-	14	dBm
Operating temperature	OT	0	+70	°C
Storage temperature	ST	-40	+85	°C

**Mechanical Diagram and Pinout**

All measurements in mm



Port	Function	Note
IN	Optical input port	Polarization maintaining 800 nm Corning 85-U25D length : 1.5 meter, buffer diameter : 900 um
OUT	Optical output port	Polarization maintaining 800nm Corning 85-U25D length : 1.5 meter, buffer diameter : 900 um
RF	RF input port	Wiltron female K

**Ordering information**

NIR-MPX800-LN-XX-00-P-P-AB-CD

XX = Bandwidth : 0.1 150 MHz 05 5 GHz 10 10 GHz 20 20 GHz  
P = Input fiber : P Polarisation maintaining  
P = Output fiber : P Polarisation maintaining  
AB = Input connector : 00 bare fiber FA FC/APC FC FC/SPC  
CD = Output connector : 00 bare fiber FA FC/APC FC FC/SPC

**About us**

ixblue Photonics produces specialty optical fibers and Bragg gratings based fiber optics components and provides optical modulation solutions based on the company lithium niobate (LiNbO<sub>3</sub>) modulators and RF electronic modules.

ixblue Photonics serves a wide range of industries: sensing and instruments, defense, telecommunications, space and fiber lasers as well as research laboratories all over the world.

3, rue Sophie Germain  
25 000 Besançon - FRANCE  
Tel. : +33 (0) 381 853 180 - Fax : + 33 (0) 381 811 557

ixblue reserves the right to change, at any time and without notice, the specifications, design, function or form of its products described herein. All statements, specification, technical information related to the products herein are given in good faith and based upon information believed to be reliable and accurate at the moment of printing. However the accuracy and completeness thereof is not guaranteed. No liability is assumed for any inaccuracies and as a result of use of the products. The user must validate all parameters for each application before use and he assumes all risks in connection with the use of the products