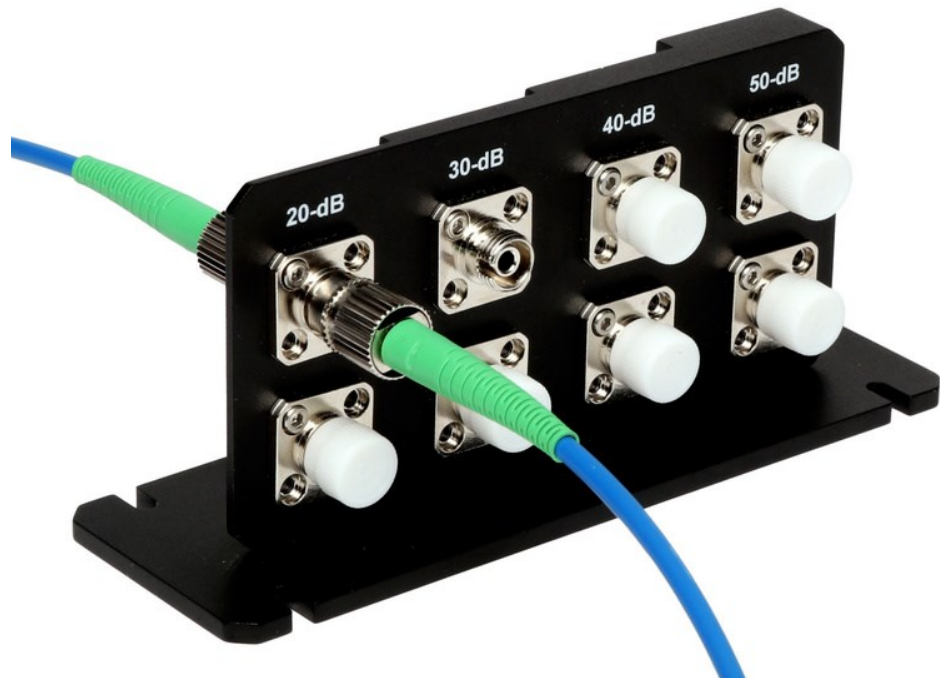


Key Features

- Operating wavelength
1064nm/1550nm/1950nm
- 4 Attenuation options
20dB/30dB/40dB/50dB
- Maximum input power of 30W
- Attenuation accuracy of ± 3 dB
at 1550nm
- Operation temperature -40 °C
to +85 °C
- Black Anodized Coating
- 2 x 4 Input/Output ports

PLUTO is a fixed air gap attenuator with a wide range of attenuation levels covering from 20dB to 50dB in 10dB steps. It is ideal for high-power fiber measurements and can be used with wavelengths 1064nm, 1550nm, and 1950nm. It can be used to prevent accidental overload or damage to the optical receiver by reducing the optical power.

Pluto module has dimensions of 120x53x430mm³ with mounting holes provided on the unit to fix it in its position. This attenuator is manufactured using lightweight but strong anodized aluminum alloy to minimize the reflectance, attenuation tolerance and maximize environmental stability, and power handling.



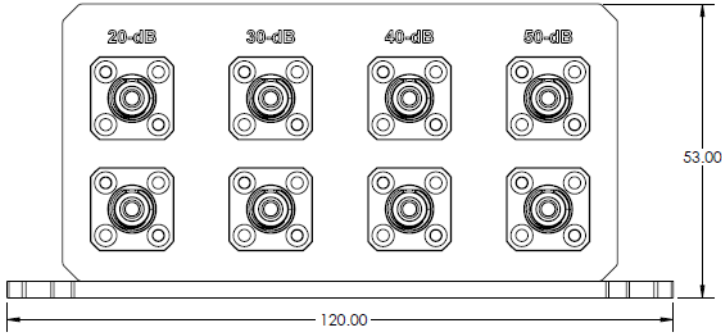
Amplifiers and Lasers Series

PLUTO can be used for our different Amplifiers as well as our Lasers.

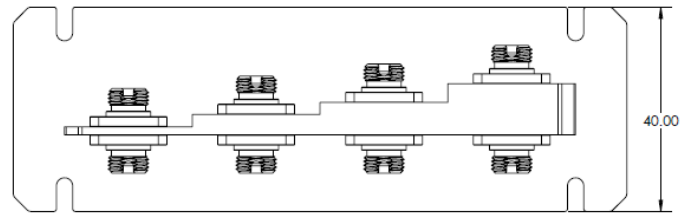
- ◆ MAKO Series
- ◆ SKYLINE Series
- ◆ VULCAN Series

PLUTO 8 Port Optical Attenuator

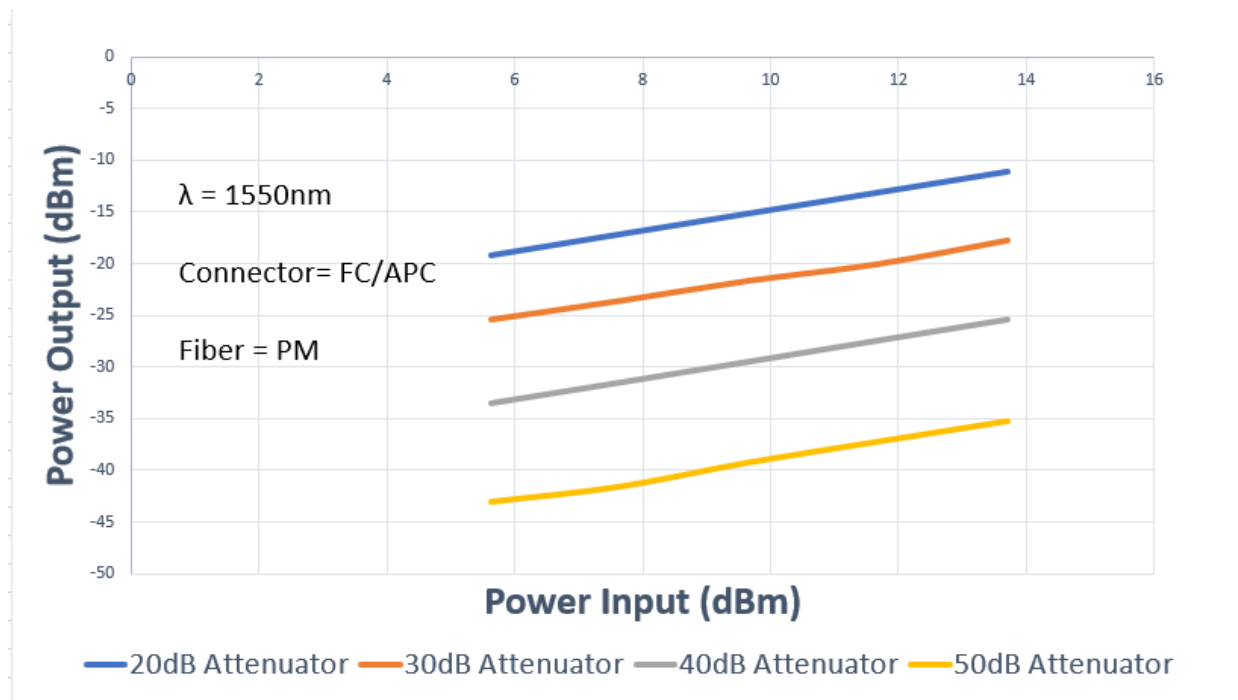
Mechanical Dimensions of PLUTO



Front View



Top View



Power Attenuation with Fiber SMF-28

CUSTOMIZATION

The **Pluto Attenuator** is a platform that can be customized to match Customers' specific requirements. Please contact Cybel.

COMPLIANCE with Regulatory Requirements: These OEM products are Class 4 lasers as designated by the Center for Device and Radiology Health (CDRH). As such they are intended only in integration into other equipment and do not comply with CDRH requirement. It is the customer responsibility for CDRH certification of the full system that incorporates this industrial laser.



1195 Pennsylvania Ave
Bethlehem, PA 18018
Phone: 610-691-7012

Sales: contact@cybel-llc.com

Website: www.cybel-llc.com