



QLD106L-64A0P series

1064 nm DFB Laser Butterfly Package

C00239-01 October 2020



1. DESCRIPTION

QLD106L-64A0P is a 1064-nm distributed feedback (DFB) laser for use in seeder for fiber lasers and sensing applications. The laser is assembled into a 14-pin butterfly package with a monitor PD and a thermo-electric cooler.

2. FEATURES

- Single longitudinal mode operation at 1064 nm
- Fiber-pigtailed 14-pin butterfly package with a monitor PD and a TEC
- Without an optical isolator and with one polarizer
- Polarization maintaining fiber integration
- Nano-second pulsed operation/CW

3. APPLICATIONS

- Seeder for fiber lasers
- Sensing

4. ABSOLUTE MAXIMUM RATINGS

PARAMETER	SYMBOL	RATING	UNIT
Optical Output power (CW)	P_f	50	mW
LD Forward Current (CW)	I_F	250	mA
Peak Output power (Pulse 10 ns / 1 MHz)	P_{f_pulse}	150	mW
LD Peak Current (Pulse 10 ns / 1 MHz)	I_{F_pulse}	600	mA
LD Reverse Voltage	V_{RLD}	2	V
TEC Drive Current	I_{TEC}	2	A
TEC Drive Voltage	V_{TEC}	4.3	V
Operation Temperature	T_c	0 to 60	°C
Storage Temperature	T_{stg}	-40 to 85	°C
Lead Soldering Temperature (5 s)	T_{sld}	230	°C

5. OPTICAL AND ELECTRICAL CHARACTERISTICS

 (T_{LD} = 25°C, unless otherwise specified)

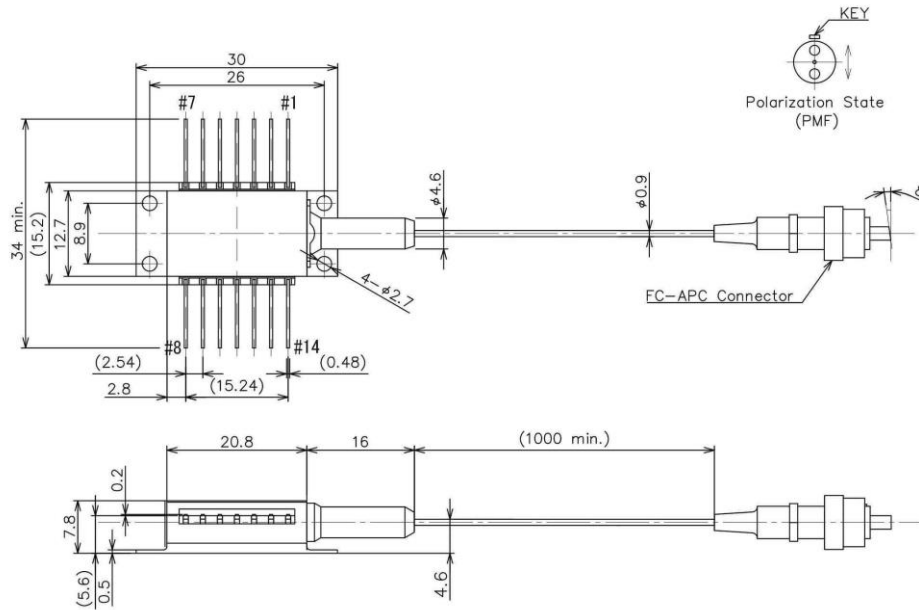
PARAMETER	SYMBOL	TEST CONDITION	MIN	TYP	MAX	UNIT
Peak Wavelength	λ_p	CW, P _f =30 mW	1059*	1064	1069*	nm
Temperature Coefficient of λ_p	d λ_p /dT	CW	-	0.08	-	nm/K
Current Coefficient of λ_p	d λ_p /dI	CW	-	0.008	-	nm/mA
Threshold Current	I _{th}	CW	-	15	25	mA
CW Fiber Output Power	P _f	CW	30	-	-	mW
Pulsed Peak Output Power	P _{f_peak}	5 ns / 100 kHz	-	100	-	mW
Operation Current	I _{op}	CW, P _f =30 mW	-	110	160	mA
Operation Voltage	V _{op}	CW, P _f =30 mW	-	1.5	1.8	V
Pulsed Peak Operation Current	I _{op_peak}	P _{f_peak} =100 mW	-	320	-	mA
Pulse Width	t _{pw}	Pulsed	-	-	100	ns
Duty Cycle	D.C.	Pulsed	-	-	2	%
Sidemode Suppression Ratio	SMSR	CW, P _f =30 mW	30	50	-	dB
		Pulsed 4 ns / 1 MHz / P _{f_peak} =50 mW	30	40	-	dB
Polarization Extinction Ratio	PER	CW, P _f =30 mW	15	20	-	dB
Monitor PD Current	I _m	CW, P _f =30 mW	50	200	800	μA
Thermistor Resistance	R _{th}	T _{LD} = 25°C, B=3900 K	9.5	10	10.5	kΩ

*Peak wavelength tolerance of +/- 1 nm is available as an option.

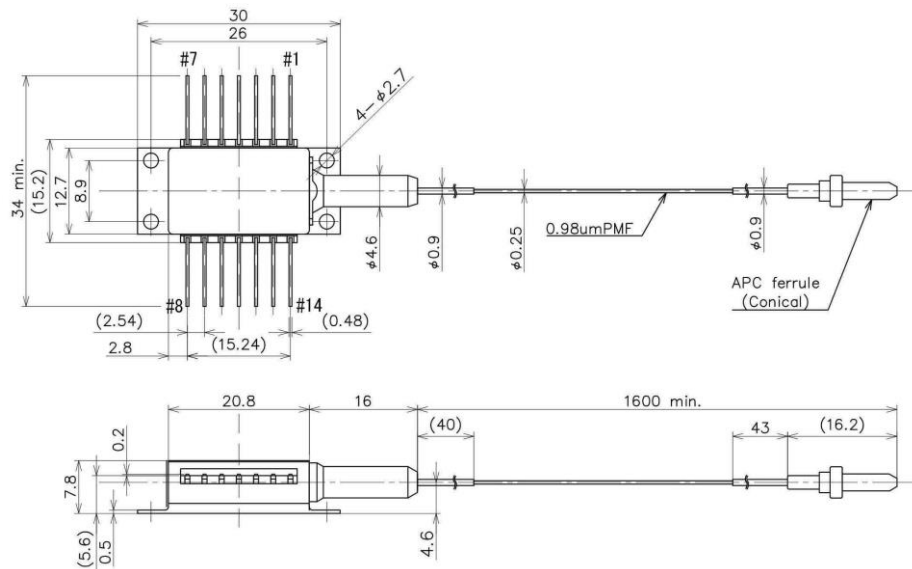
6. PRODUCT PART NUMBER

Part Number	Fiber Type	Fiber Diameter	Connector
QLD106L-64A0P	Polarization maintaining fiber	900um	FC/APC
QLD106L-64A0P-11		250um	Ferrule

7. OUTLINE DRAWING



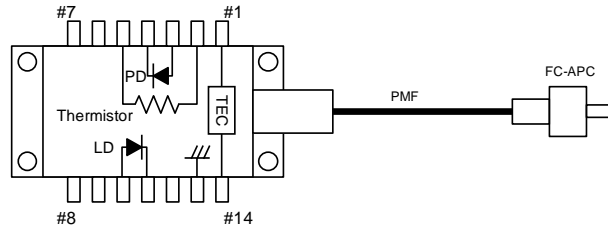
(a) 900um fiber diameter and FC/APC connector type (QLD106L-64A0P)



(b) 250um fiber diameter and ferrule type (QLD106L-64A0P-11)

8. PIN CONFIGURATION

No.	Description	No.	Description
1	TEC (+)	8	NC
2	Thermistor	9	NC
3	PD Anode	10	Laser Anode
4	PD Cathode	11	Laser Cathode
5	Thermistor	12	NC
6	NC	13	Case Ground
7	NC	14	TEC (-)



9. NOTICE

- Safety Information

This product is classified as Class 3B laser product, and complies with 21 CFR Part 1040.10.

Please do not take a look at laser lighting in operations since laser devices may cause troubles to human eyes.

Please do not eat, burn, break and make chemical process of the products since they contain GaAs material.

- Handling products

Semiconductor lasers are easily damaged by external stress such as excess temperature and ESD.

Please pay attention to handling products, and use within range of maximum ratings.

QD Laser takes no responsibility for any failure or unusual operation resulting from improper handling, or unusual physical or electrical stress.

- RoHS

This product conforms to RoHS compliance related Directive (EU) 2015/863.

 <p>DANGER</p>	<p>LASER DIODE</p> 
 <p>INVISIBLE LASER RADIATION AVOID DIRECTION EXPOSURE TO BEAM</p> <hr/> <p>MAXIMUM OUTPUT 1 W WAVELENGTH 1000~1200 nm CLASS IV LASER PRODUCT</p>	<p>AVOID EXPOSURE-Invisible Laser Radiation is emitted from this aperture.</p>
<p>This product complies with 21 CFR Part 1040.10 and 1040.11 except for deviations pursuant to Laser Notice No.50, dated June 24, 2007</p> <p>QD Laser, Inc. 1-1 Minamiwataridacho, Kawasaki-ku, Kawasaki, Kanagawa, 210-0855 Japan</p>	

QD Laser, Inc.

Contact : info@qdlaser.com <https://www.qdlaser.com>

Copyright 2020 All Rights Reserved by QD Laser, Inc.

Keihin Bldg. 1F 1-1 Minamiwatarida-cho, Kawasaki-ku, Kawasaki, Kanagawa Zip 210-0855 Japan

All company or product names mentioned herein are trademarks or registered trademarks of their respective owners. Information provided in this data sheet is accurate at time of publication and is subject to change without advance notice.