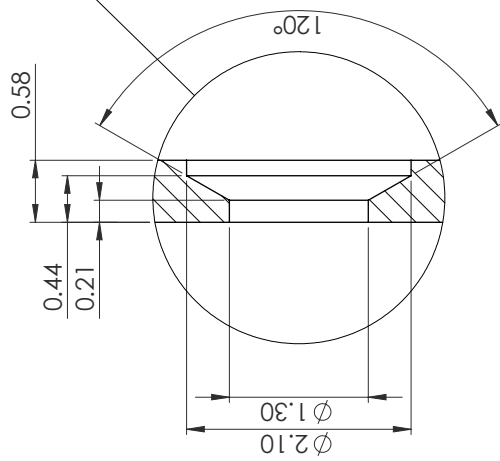
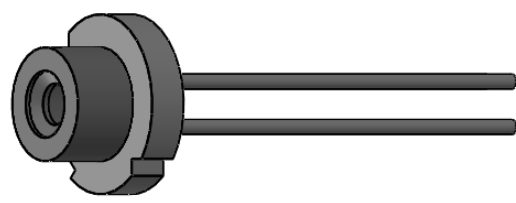
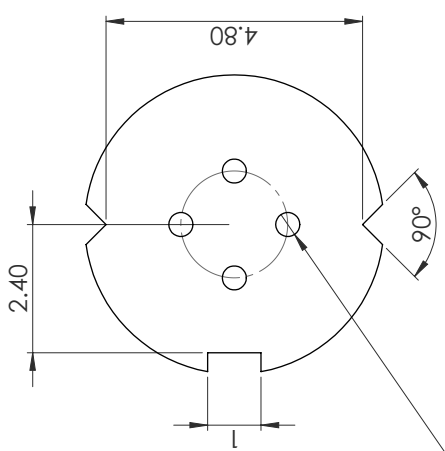
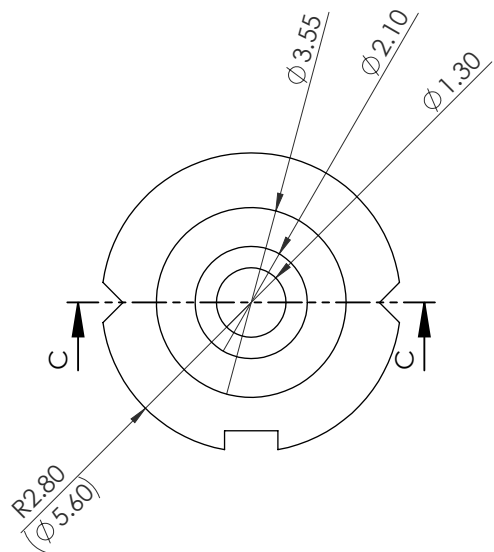


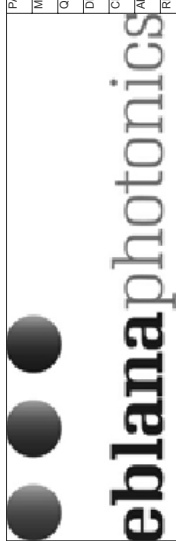
SECTION C-C



DETAIL H



4 x ϕ 0.45 Pins
on P.C.D. 2mm



© Copyright Eblana Photonics Ltd., all rights reserved. Eblana reserve the right to alter specifications at anytime without notice.

PART No:	T056 2.01-01
MATERIAL:	NA
QUANTITY:	1 off
DRAWN BY:	Gordon O'Brien
CHECKED:	Lee Byas
APPROVED:	Rob Lennox
REVISION:	
APPROVED:	
FILE:	9015

EBLANA CUSTOM PARTS	
T056- Flat2.1	
13/08/2016	
15/08/2016	
15/08/2016	