

MODULATOR

MPX2000 / MPZ2000 series

2 μm band low frequencies to 16 GHz Phase Modulators

The MPX2000 and MPZ2000 are phase modulators especially designed for phase modulation in the 2.0 μm wavelength band from low frequencies to 16 GHz and above. The MPX/MPZ2000 incorporate 2.0 μm specific waveguides and are pigtailed with 2.0 μm polarization maintaining fibers.



Features

- Low insertion loss
- Low V_{π}
- 2.0 μm specific design

Applications

- LIDAR
- Gas sensing
- Spectral broadening
- Beam combining
- Spectroscopy
- Seed source
- Research & development
- Pound-Drever-Hall locking (PDH)

Options

- Low insertion loss
- Low Residual Amplitude modulation
- High electrical input power capability
- Space grade version

Related Equipements

- MX2000 Intensity modulator
- Matched RF amplifiers
- Spectral broadening ModBox
- Coherent Beam Combining ModBox CBC

MPX2000-LN-0.1 Performance Highlights*

Parameter	Min	Typ	Max	Unit
Operating wavelength	1900	2000	2200	nm
Usable electro-optical bandwidth	-	300	-	MHz
V_{π} RF @50 kHz	-	5	-	V
Insertion loss	-	3	-	dB

*Specifications given at 25 °C, 2050 nm

MPZ2000-LN-10 Performance Highlights*

Parameter	Min	Typ	Max	Unit
Operating wavelength	1900	2000	2200	nm
Usable electro-optical bandwidth	-	16	-	GHz
V_{π} RF @50 kHz	-	6.5	-	V
Insertion loss	-	3	4	dB

*Specifications given at 25 °C, 2050 nm

MPX2000-LN-0.1

300 MHz Phase Modulator

Electrical Characteristics

Parameter	Symbol	Condition	Min	Typ	Max	Unit
Electro-optical bandwidth	S_{21}	RF electrodes	100	150	-	MHz
Usable electro-optical bandwidth	S_{21}	RF electrodes	-	300	-	MHz
V_{π} RF @50 kHz	$V_{\pi_{RF\ 50\ kHz}}$	RF electrodes	-	3.5	-	V
RF input impedance	Z_{in-RF}	-	-	10	-	k Ω

Optical Characteristics

Parameter	Symbol	Condition	Min	Typ	Max	Unit
Crystal	-	-	Lithium Niobate X-Cut Y-Prop			
Waveguide process	-	-	Ti diffusion			
Operating wavelength	λ	-	1900	2000	2200	nm
Insertion loss	IL	Without optical connectors*	-	3	5	dB
Optical return loss	ORL	-	-40	-45	-	dB

All specifications given at 25 °C, 2050 nm, unless differently specified.

*Consider an extra-loss up to 0.25 dB for each FC/APC optical connector

Absolute Maximum Ratings

Stresses in excess of the absolute maximum ratings can cause permanent damage to the device. These are absolute stress ratings only. Functional operation of the device is not implied at these or any other conditions in excess of those given in the operational sections of the data sheet. Exposure to absolute maximum ratings for extended periods can adversely affect device reliability.

Parameter	Symbol	Min	Max	Unit
Modulation voltage range	EV_{in}	-20	20	V
Optical input power	OP_{in}	-	20	dBm
Operating temperature	OT	0	+70	°C
Storage temperature	ST	-40	+85	°C

MPZ2000-LN-10

16 GHz Phase Modulator

Electrical Characteristics

Parameter	Symbol	Condition	Min	Typ	Max	Unit
Electro-optical bandwidth	S_{21}	-	10	12	-	GHz
Usable electro-optical bandwidth	S_{21}	-	-	16	-	GHz
Ripple S_{21}	ΔS_{21}	-	-	0.5	1	dB
Electrical return loss	S_{11}	-	-	-12	-10	dB
V_{π} RF @50 kHz	$V_{\pi_{RF\ 50\ kHz}}$	-	-	6.5	7.5	V
Impedance matching	Z_{in-RF}	-	-	50	-	Ω

50 Ω RF input

Optical Characteristics

Parameter	Symbol	Condition	Min	Typ	Max	Unit
Crystal	-	-	Lithium Niobate Z-Cut Y-Prop			
Waveguide process	-	-	Ti diffusion			
Operating wavelength	λ	-	1900	2000	2200	nm
Insertion loss	IL	Without optical connectors*	-	3	4	dB
Optical return loss	ORL	-	-40	-45	-	dB

All specifications given at 25 °C, 2050 nm, unless differently specified.

(*1) Consider an extra-loss up to 0.25 dB for each FC/APC optical connector

Absolute Maximum Ratings

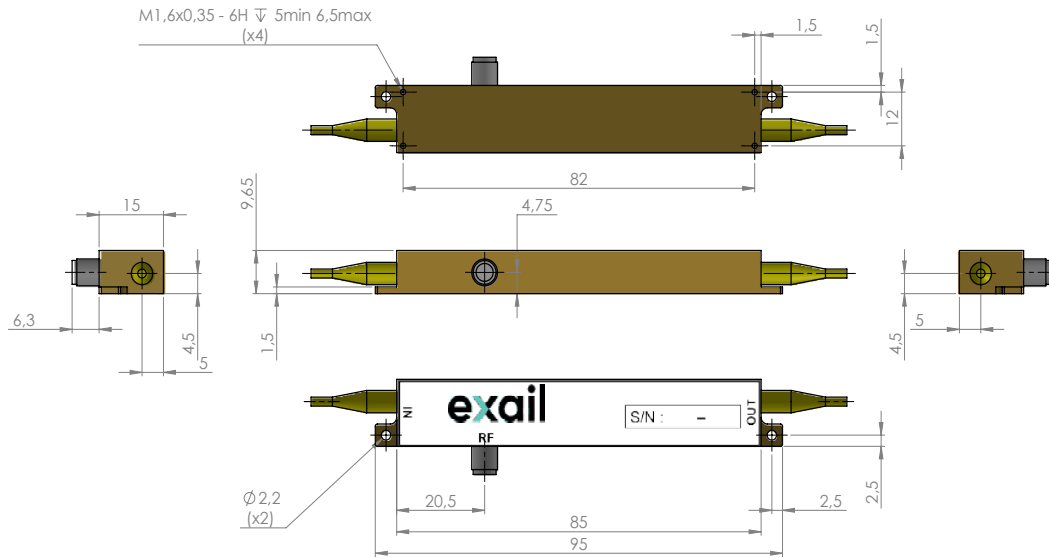
Stresses in excess of the absolute maximum ratings can cause permanent damage to the device. These are absolute stress ratings only. Functional operation of the device is not implied at these or any other conditions in excess of those given in the operational sections of the data sheet. Exposure to absolute maximum ratings for extended periods can adversely affect device reliability.

Parameter	Symbol	Min	Max	Unit
RF input power	EP_{in}	-	28	dBm
High electrical input power option	HEP_{in}	-	33	dBm
Optical input power	OP_{in}	-	20	dBm
Operating temperature	OT	0	+70	°C
Storage temperature	ST	-40	+85	°C

MODULATOR | MPX2000 / MPZ2000 SERIES | 4/4

Mechanical Diagram and Pinout

All measurements in mm



Port	Function	Note
IN	Optical input port	2000 nm Polarization maintaining fiber Nufern PM1950 Length: 1.5 meter
OUT	Optical output port	2000 nm Polarization maintaining fiber Nufern PM1950 Length: 1.5 meter
RF	RF input port	Female K (SMA comptabile)

Ordering Information

- Bandwidth : **01** (150 MHz), **10** (10 GHz)
- Input fiber: P Polarization maintaining
- Output fiber: P Polarization maintaining
- Input connector: **00** (bare fiber), **FA** (FC/APC)
- Output connector: **00** (bare fiber), **FA** (FC/APC)
- HEP (High Electrical Power) for MPZ2000-LN-10 only

MPX/MPZ2000-LN-□-□-□-□-□-□

About us

Exail Photonics produces specialty optical fibers and Bragg gratings based fiber optics components and provides optical modulation solutions based on the company lithium niobate (LiNbO₃) modulators and RF electronic modules. Exail Photonics serves a wide range of industries: sensing and instruments, defense, telecommunications, space and fiber lasers as well as research laboratories all over the world.

Exail reserves the right to change, at any time and without notice, the specifications, design, function or form of its products described herein. All statements, specification, technical information related to the products herein are given in good faith and based upon information believed to be reliable and accurate at the moment of printing. **However, Exail provides no warranty (whether express or implied or statutory) as to the description, sufficiency, accuracy or completeness, merchantability or fitness for a particular purpose of any information or specification detailed herein.** No liability is assumed for any inaccuracies and/or as a result of use of the products. The user must validate all parameters for each application before any use and he shall assume all risks and responsibilities in connection with the use of the products.